

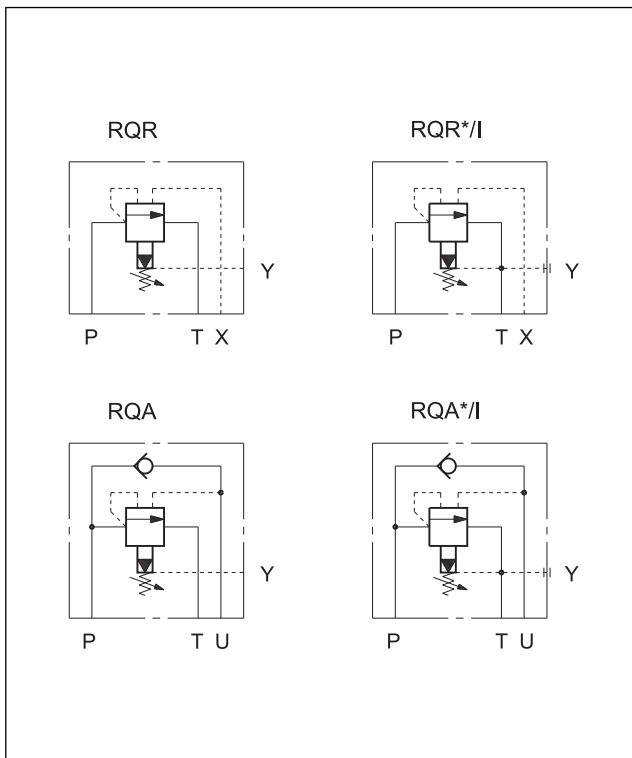
**RQ\*\* -P**  
**UNLOADING VALVE**  
(FOR CIRCUITS WITH ACCUMULATOR)  
**SERIES 42**

**RQR\* -P**  
FOR REMOTE PILOTING

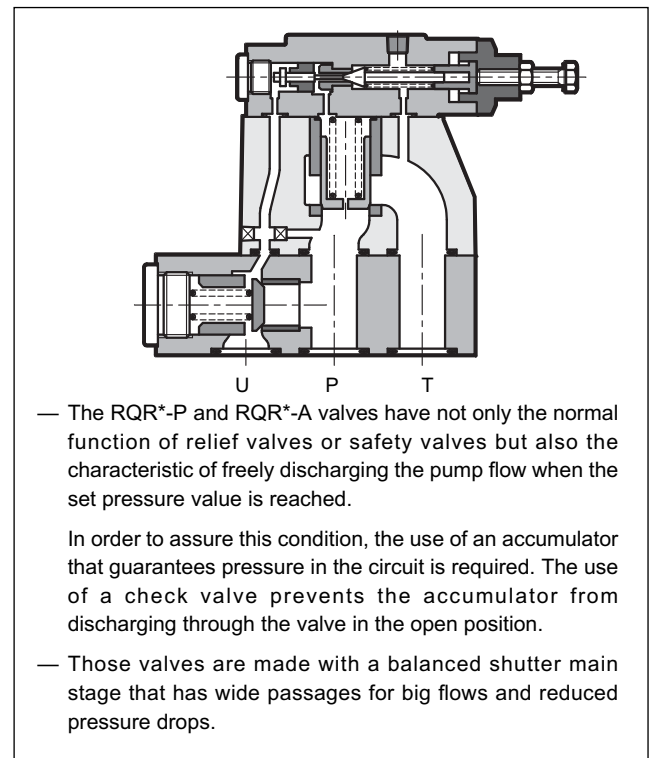
**RQA\* -P**  
WITH INCORPORATED CHECK VALVE

**SUBPLATE MOUNTING**

**HYDRAULIC SYMBOLS**



**OPERATING PRINCIPLE**

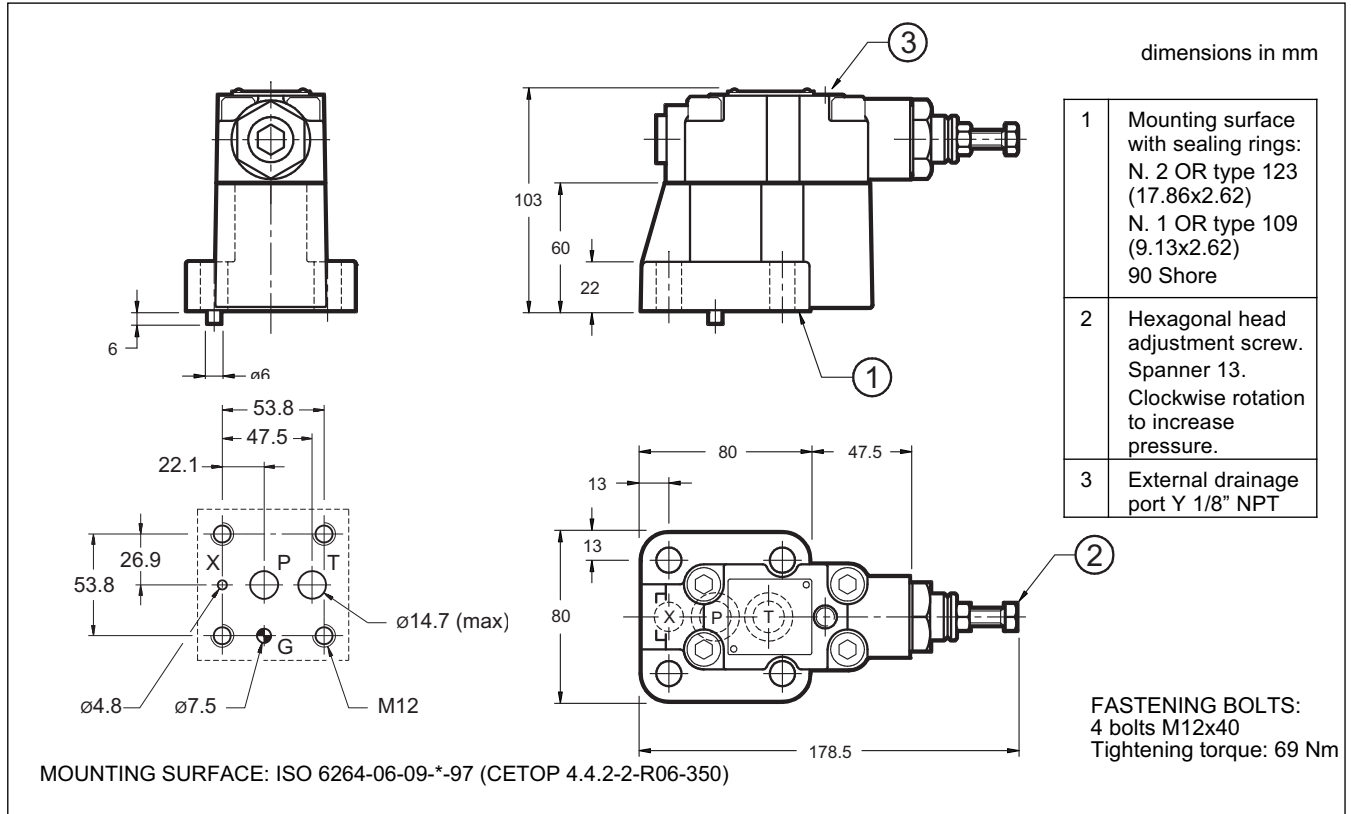


**PERFORMANCES** (measured with mineral oil of viscosity 36 cSt at 50°C)

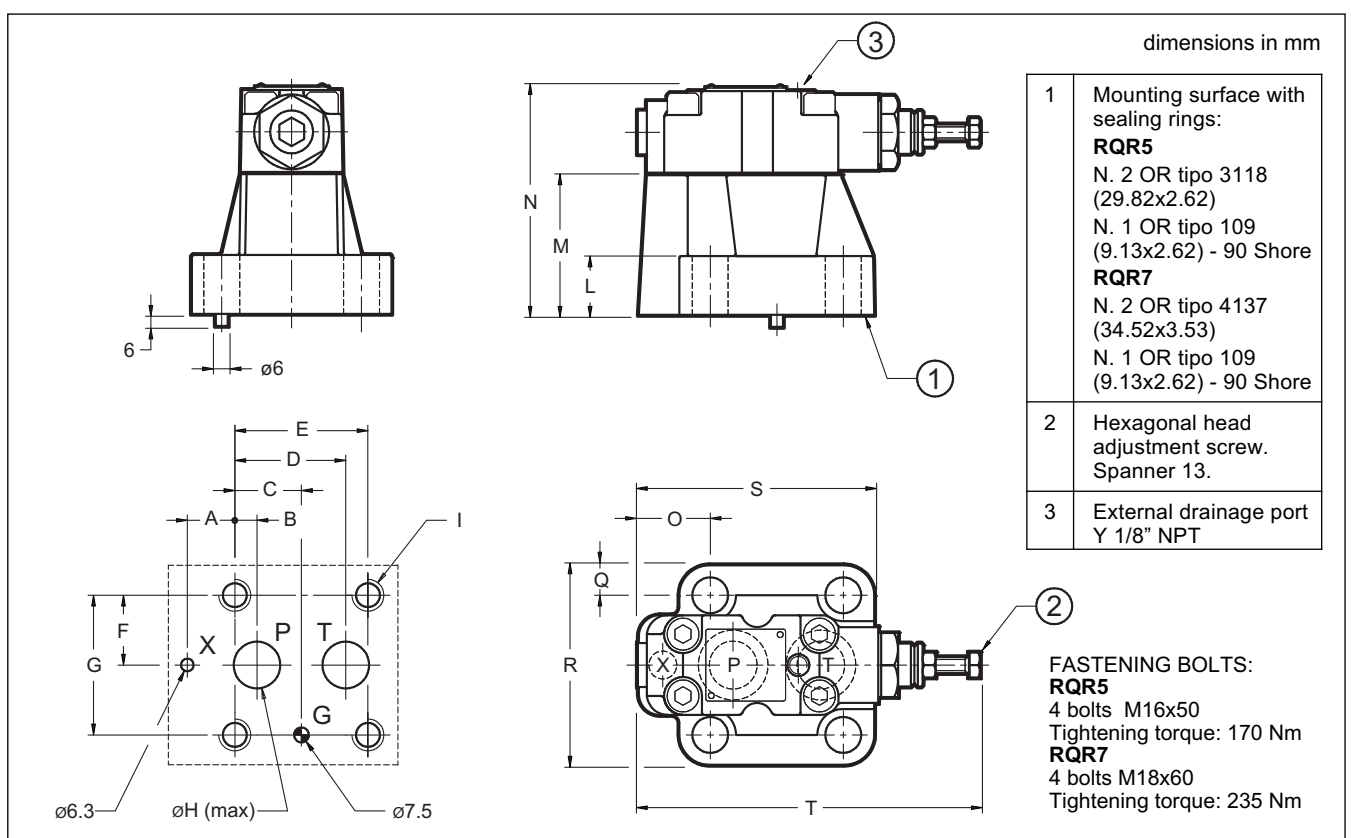
		<b>RQR3-P</b>	<b>RQR5-P</b>	<b>RQR7-P</b>	<b>RQA5-P</b>	<b>RQA7-P</b>
Maximum operating pressure	bar	350			320	
Maximum flow rate	l/min	200	400	500	400	500
Ambient temperature range	°C	-20 / +50				
Fluid temperature range	°C	-20 / +80				
Fluid viscosity range	cSt	10 ÷ 400				
Fluid contamination degree		According to ISO 4406:1999 class 20/18/15				
Recommended viscosity	cSt	25				
Mass	Kg	3,5	4,3	6,5	10,4	19



## 4 - RQR3-P OVERALL AND MOUNTING DIMENSIONS

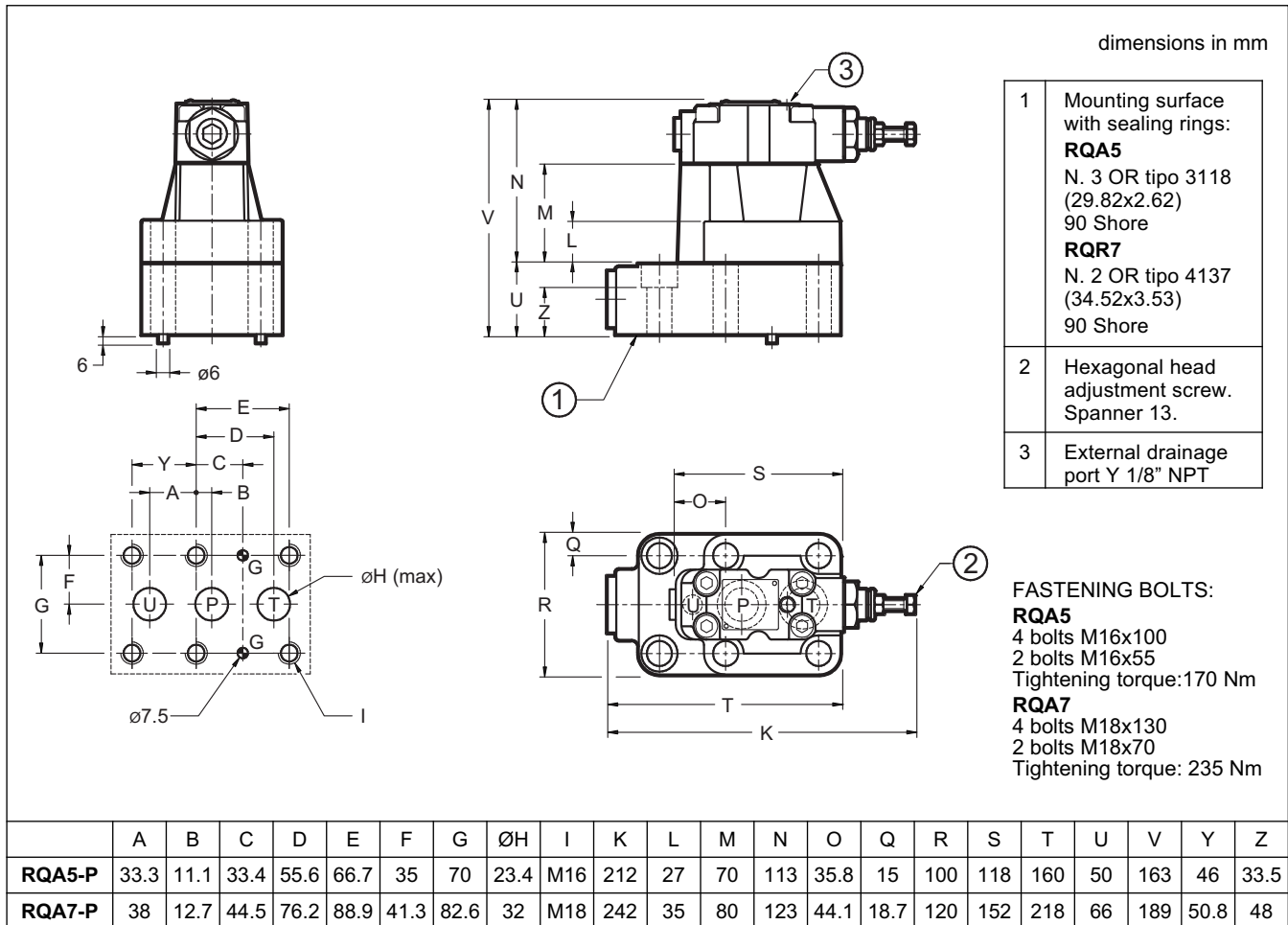


## 5 - RQR5-P and RQR7-P OVERALL AND MOUNTING DIMENSIONS



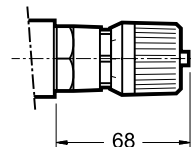
	MOUNTING SURFACE	A	B	C	D	E	F	G	ØH	I	L	M	N	O	Q	R	S	T
<b>RQR5-P</b>	ISO 6264-08-13-*-97 (CETOP 4.4.2-2-R08-350)	23.8	11.1	33.4	55.6	66.7	35	70	23.4	M16	27	70	113	35.8	15	100	118	170
<b>RQR7-P</b>	ISO 6264-10-17-*-97 (CETOP 4.4.2-2-R10-350)	31.8	12.7	44.5	76.2	88.9	41.3	82.6	32	M18	35	80	123	44.1	18.7	120	152	180

### 6 - RQA5-P and RQA7P OVERALL AND MOUNTING DIMENSIONS



### 7 - ADJUSTMENT KNOB

The RQ valves can be equipped with a SICBLOC adjustment knob.  
To operate it, push and rotate at the same time.  
To request this option, add: /M (see paragraph 1).



### 8 - SUBPLATES (see catalogue 51 000)

	<b>RQR3-P</b>	<b>RQR5-P</b>	<b>RQR7-P</b>	<b>RQA5-P</b>	<b>RQA7-P</b>
Type	PMRQ3-AI4G rear ports	PMRQ5-AI5G rear ports	PMRQ7-AI7G rear ports	PMRQA5-AI5G rear ports	PMRQA7-AI7G rear ports
Port dimension <b>P T U</b>	1/2" BSP	1" BSP	1" 1/4 BSP	3/4" BSP	1" 1/4 BSP
Port dimension <b>X</b>	1/4" BSP	1/4" BSP	1/4" BSP	-	-