

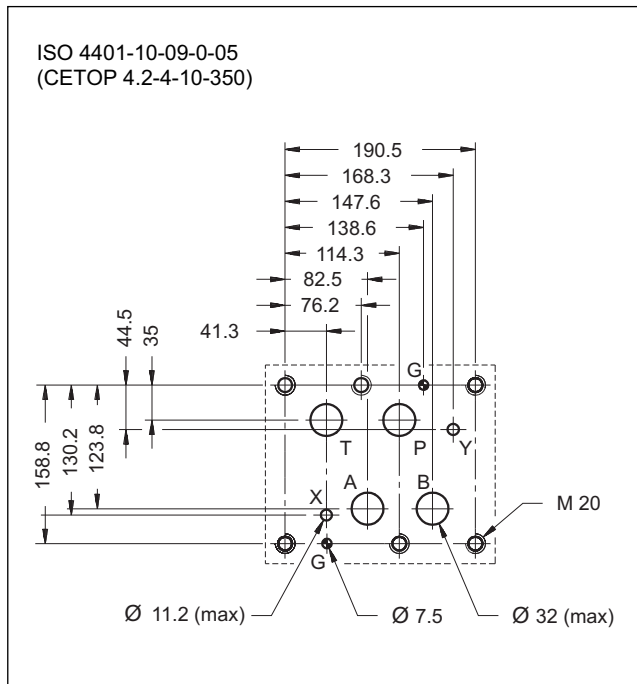
# DSP10

## PILOT OPERATED DISTRIBUTOR SOLENOID OR HYDRAULIC (DSC10) CONTROLLED

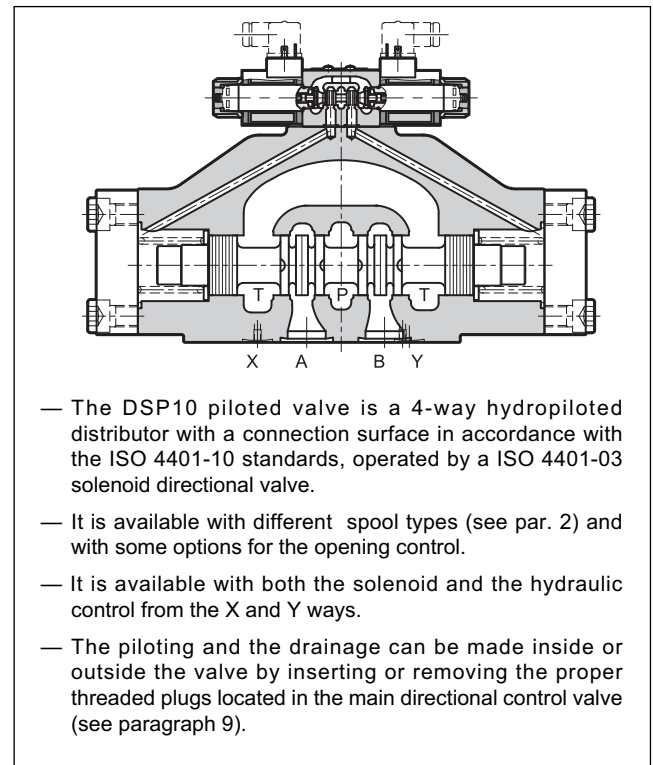
**SUBPLATE MOUNTING  
ISO 4401-10**

**p max 350 bar  
Q max 1100 l/min**

**MOUNTING INTERFACE**



**OPERATING PRINCIPLE**

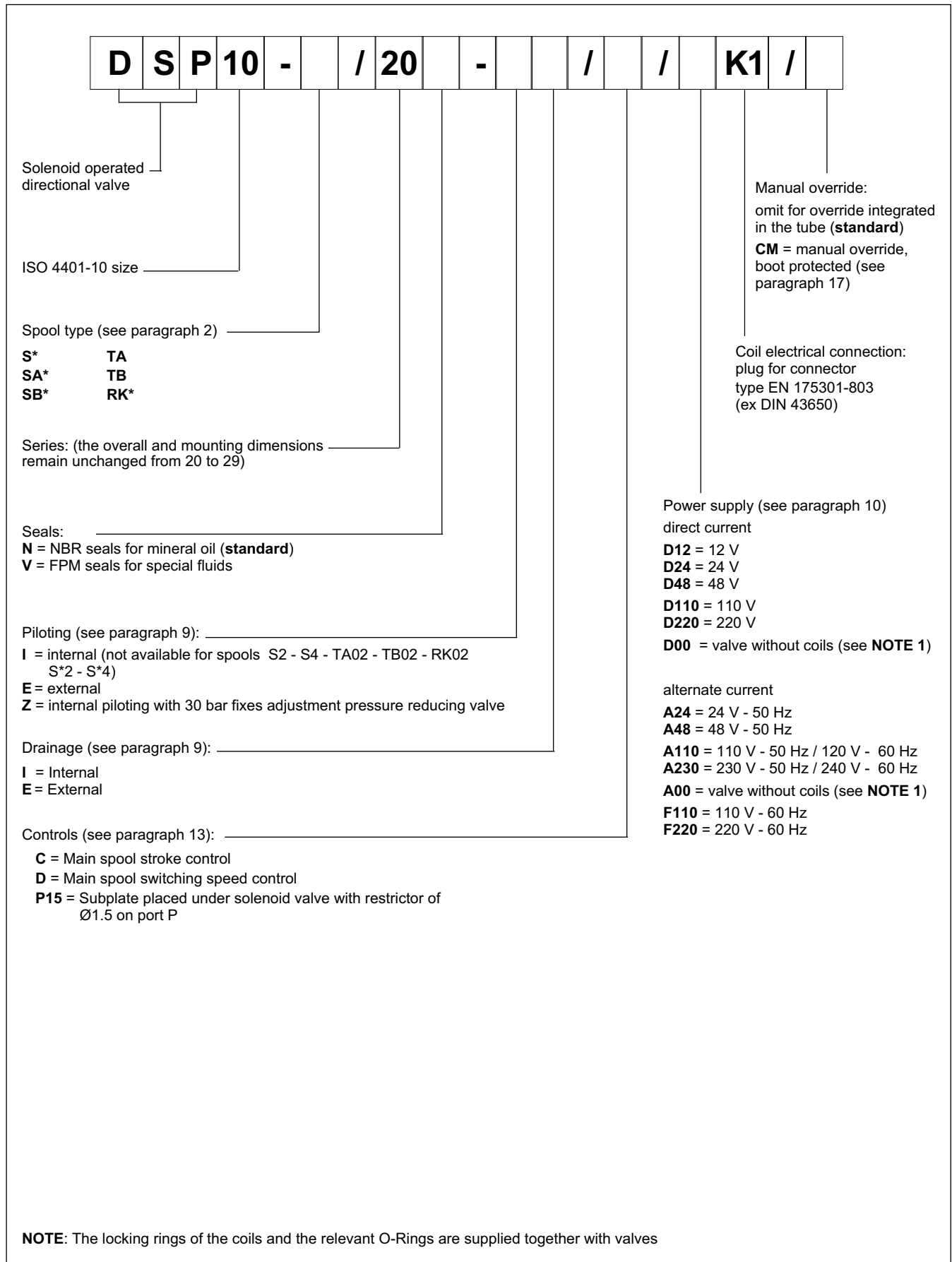


**PERFORMANCES**

(obtained with mineral oil of viscosity of 36 cSt at 50°C)

Maximum operating pressure - ports P - A - B (standard version) - port T (external drainage)	bar	350 210
Maximum flow rate from port P to A - B - T	l/min	1100
Ambient temperature range	°C	-20 / +50
Fluid temperature range	°C	-20 / +80
Fluid viscosity range	cSt	10 + 400
Fluid contamination degree	according to ISO 4406:1999 class 20/18/15	
Recommended viscosity	cSt	25
Mass: DSP10 DSC10	kg	50 48

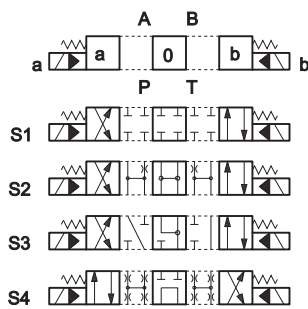
## 1 - IDENTIFICATION CODE FOR SOLENOID DISTRIBUTOR DSP10



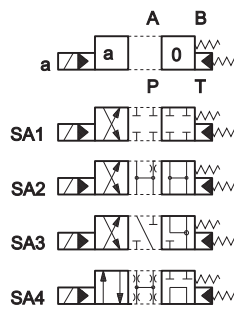
## 2 - SPOOL TYPE

NOTE: Symbols refers to the **DSP10** solenoid valve. For the **DSC10** hydraulic control version, please verify the connection scheme (see par. 3).

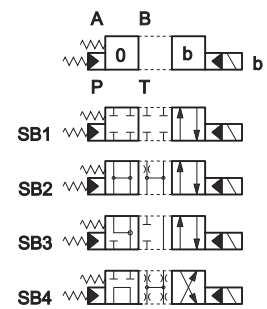
**Type S\*:**  
2 solenoids - 3 positions  
with spring centering



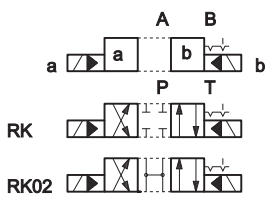
**Type SA\*:**  
1 solenoid side A  
2 positions (central + external)  
with spring centering



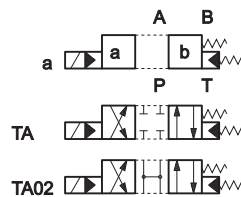
**Type SB\*:**  
1 solenoid side B  
2 positions (central + external)  
with spring centering



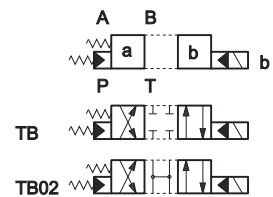
**Type RK:**  
2 solenoids - 2 positions  
with mechanical retention



**Type TA:**  
1 solenoid side A  
2 external positions  
with return spring

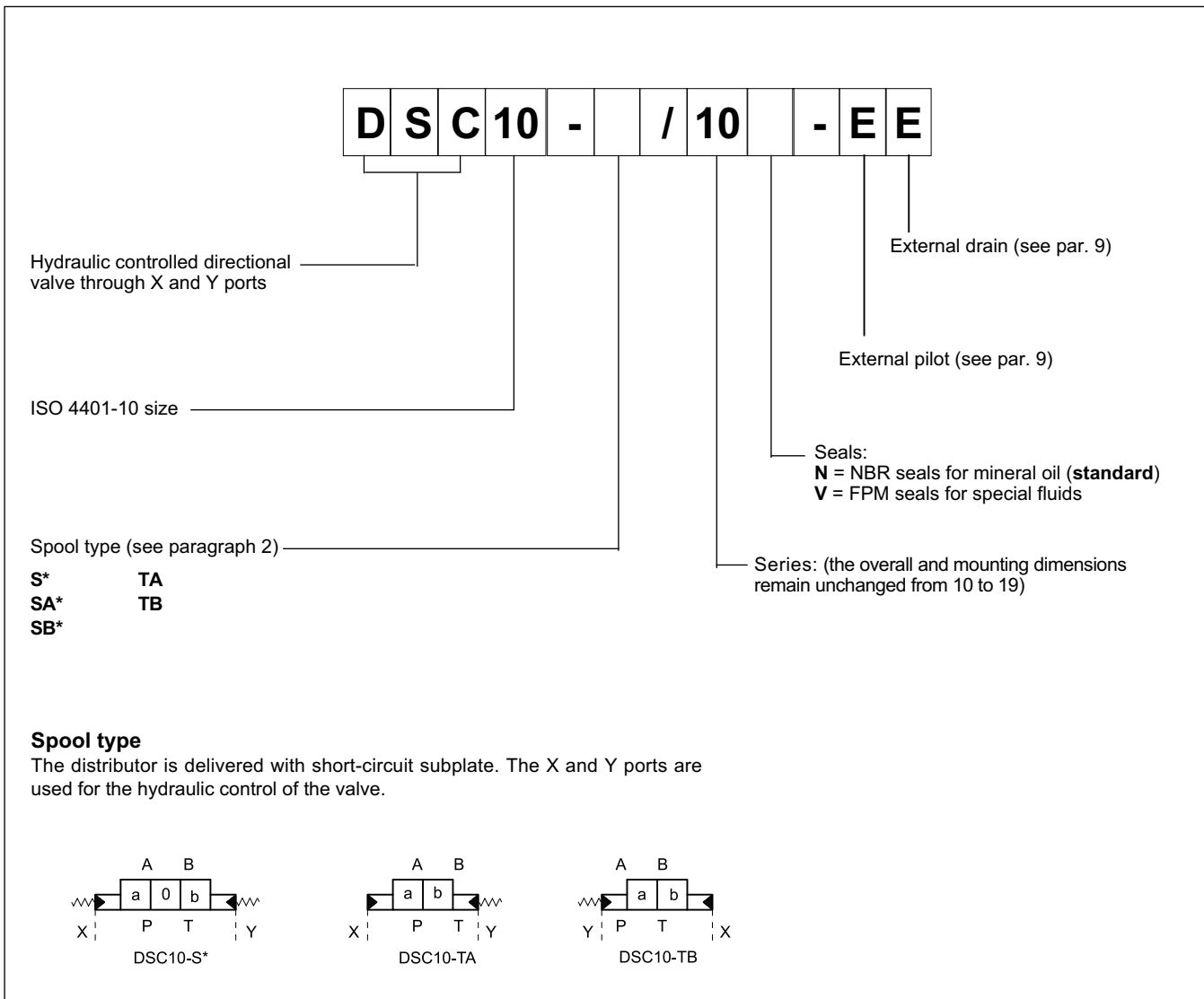


**Type TB:**  
1 solenoid side B  
2 external positions  
with return spring



If other spool types are necessary please consult our Technical Department

### 3 - IDENTIFICATION CODE FOR HYDRAULIC DISTRIBUTOR DSC10



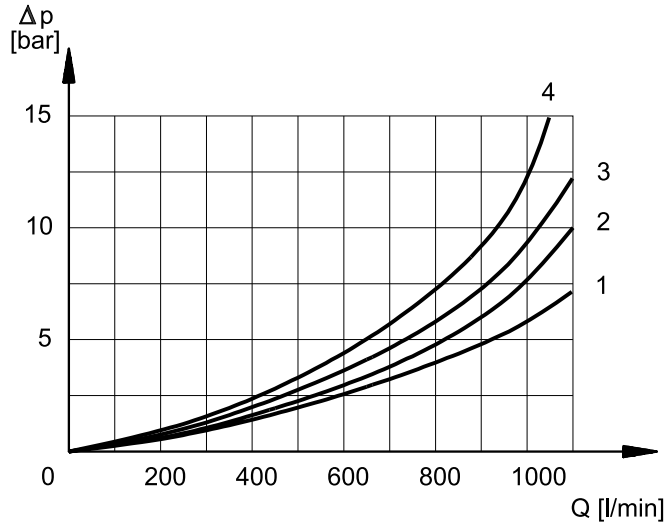
### 4 - HYDRAULIC FLUIDS

Use mineral oil-based hydraulic fluids HL or HM type, according to ISO 6743-4. For these fluids, use NBR seals (code V). For fluids HFDR type (phosphate esters) use FPM seals (code V). For the use of other kinds of fluid such as HFA, HFB, HFC, please consult our technical department. Using fluids at temperatures higher than 80 °C causes a faster degradation of the fluid and of the seals characteristics.

The fluid must be preserved in its physical and chemical characteristics.

## 5 - PRESSURE DROPS $\Delta P$ -Q

(values obtained with viscosity 36 cSt at 50 °C)



### PRESSURE DROPS WITH VALVE ENERGIZED

SPOOL TYPE	FLOW DIRECTION			
	P-A	P-B	A-T	B-T
	CURVES ON GRAPH			
S1, SA1, SB1	1	1	1	1
S2, SA2, SB2	2	2	2	2
S3, SA3, SB3	1	1	4	4
S4, SA4, SB4	2	2	2	2
TA, TB	1	1	1	1
TA02, TB 02	1	1	1	1
RK	1	1	1	1

### PRESSURE DROPS WITH VALVE IN DE-ENERGIZED POSITION

SPOOL TYPE	FLOW DIRECTION				
	P-A	P-B	A-T	B-T	P-T
	CURVES ON GRAPH				
S2, SA2, SB2					3
S3, SA3, SB3			4	4	
S4, SA4, SB4					4

## 6 - SWITCHING TIMES

The values indicated refer to a solenoid valve working with piloting pressure of 100 bar, with mineral oil at a temperature of 50°C, at viscosity of 36 cSt and with PA and BT connections.

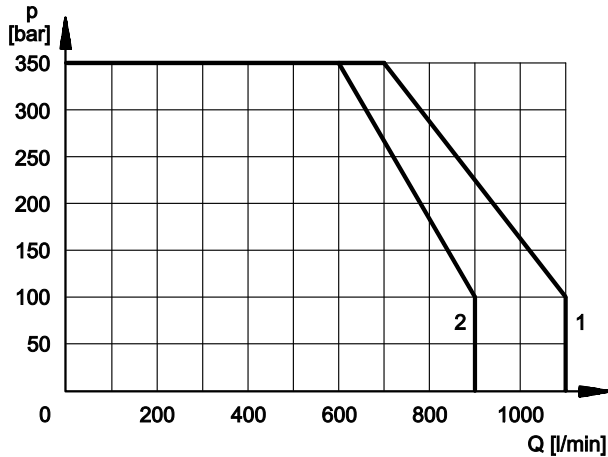
The energizing and de-energizing times are obtained at the pressure variation which occurs on the lines.

TIMES ( $\pm 10\%$ ) [ms]	ENERGIZED		DE-ENERGIZED	
	2 Pos.	3 Pos.	2 Pos.	3 Pos.
	AC solenoid	90	60	90
DC solenoid	130	100	90	60

## 7 - OPERATING LIMITS

The curves define the flow rate operating fields according to the valve pressure of the different versions. The values have been obtained according to ISO 6403 norm with solenoids at rated temperature and supplied with voltage equal to 90% of the nominal voltage.

The value have been obtained with mineral oil, viscosity 36 cSt, temperature 50 °C and filtration according to ISO 4406.1999 class 18/16/13.



SPOOL TYPE	CURVE	
	P-A	P-B
S1, SA1, SB1	1	1
S2, SA2, SB2	2	2
S3, SA3, SB3	1	1
S4, SA4, SB4	2	2
TA, TB	1	1
TA02, TB02	1	1
TA23, TB23	1	1
RK	1	1

## 8 - PERFORMANCE CHARACTERISTICS

PRESSURES [bar]	DSP10
Max pressure in P, A, B ports	350
Max pressure in T line with external drainage	250
Max pressure in T line with internal drainage	210 (DC) / 160 (AC)
Max pressure in Y line with external drainage	210 (DC) / 160 (AC)
Min piloting pressure <b>NOTE 1</b>	6 ÷ 12
Max piloting pressure <b>NOTE 2</b>	280

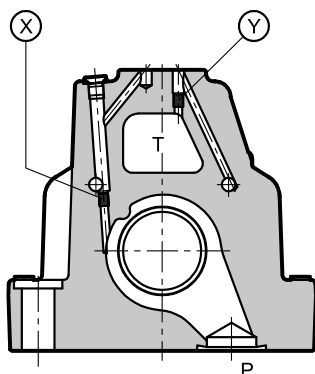
**NOTE 1** minimum piloting pressure can be the lower range value at low flows rates, but with higher flow rates the higher value is needed.

**NOTE 2** If the valve operates at higher pressures it is necessary to use the version with external piloting and reduced pressure.

Otherwise, the valve with internal pilot and pressure reducing valve with 30 bar fixed adjustment can be ordered (Piloting type **Z**, see dimensions at par. 11)

## 9 - PILOTING AND DRAINAGE

These valves are available with piloting and drainage, both internal and external. The version with external drainage allows for a higher back pressure on the outlet.



X: plug M6x8 for external pilot  
Y: plug M6x8 for external drain

TYPE OF VALVE	Plug assembly	
	X	Y
<b>IE</b> INTERNAL PILOT AND EXTERNAL DRAIN	NO	YES
<b>II</b> INTERNAL PILOT AND INTERNAL DRAIN	NO	NO
<b>EE</b> EXTERNAL PILOT AND EXTERNAL DRAIN	YES	YES
<b>EI</b> EXTERNAL PILOT AND INTERNAL DRAIN	YES	NO

## 10 - ELECTRICAL FEATURES

### 10.1 - Solenoids

These are essentially made up of two parts: tube and coil. The tube is threaded into the valve body and includes the armature that moves immersed in oil, without wear. The inner part, in contact with the oil in the return line, ensures heat dissipation.

The coil is fastened to the tube by a threaded ring, and can be rotated 360°, to suit the available space.

**NOTE 1:** In order to further reduce the emissions, use of type H connectors is recommended. These prevent voltage peaks on opening of the coil supply electrical circuit (see cat. 49 000).

**NOTE 2:** The IP65 protection degree is guaranteed only with the connector correctly connected and installed.

<b>VOLTAGE SUPPLY FLUCTUATION</b>	± 10% Vnom
<b>MAX SWITCH ON FREQUENCY</b>	6.000 ins/hr
<b>DUTY CYCLE</b>	100%
<b>ELECTROMAGNETIC COMPATIBILITY (EMC) (NOTE 1)</b>	In compliance with 2014/30/EU
<b>LOW VOLTAGE</b>	In compliance with 2014/35/EU
<b>CLASS OF PROTECTION</b> Atmospheric agents (IEC 60529) Coil insulation (VDE 0580) Impregnation: DC valve AC valve	IP 65 ( <b>NOTE 2</b> ) class H class F class H

### 10.2 - Current and absorbed power for DC solenoid valve

The table shows current and power consumption values of the DC coils.

Using connectors type "D" (see cat. 49 000) with embedded bridge rectifier it is possible to feed DC coils (starting from 48V voltage) with alternating current (50 or 60 Hz), considering a reduction of the operating limits by 5 + 10% approx.

(values ± 10%)

	Resistance at 20°C [Ω]	Current consumption [A]	Power consumption [W]	Coil code
				K1
<b>D12</b>	4,4	2,72	32,7	1903080
<b>D24</b>	18,6	1,29	31	1903081
<b>D48</b>	78,6	0,61	29,5	1903083
<b>D110</b>	436	0,26	28,2	1903464
<b>D220</b>	1758	0,13	28,2	1903465

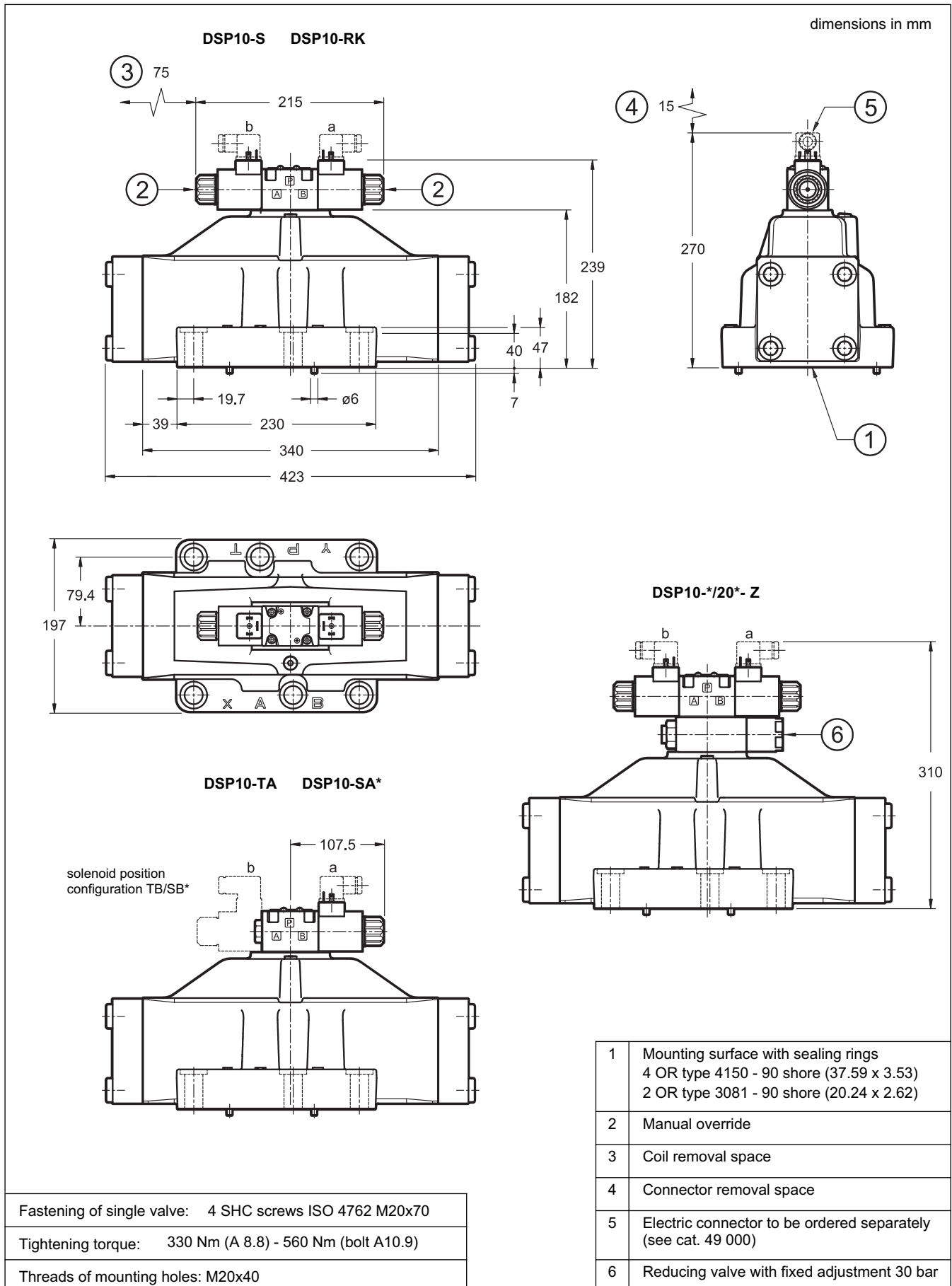
### 10.3 - Current and absorbed power for AC solenoid valve

The table shows current and power consumption values at inrush and at holding, relevant to the different coil types for AC current.

(values ± 5%)

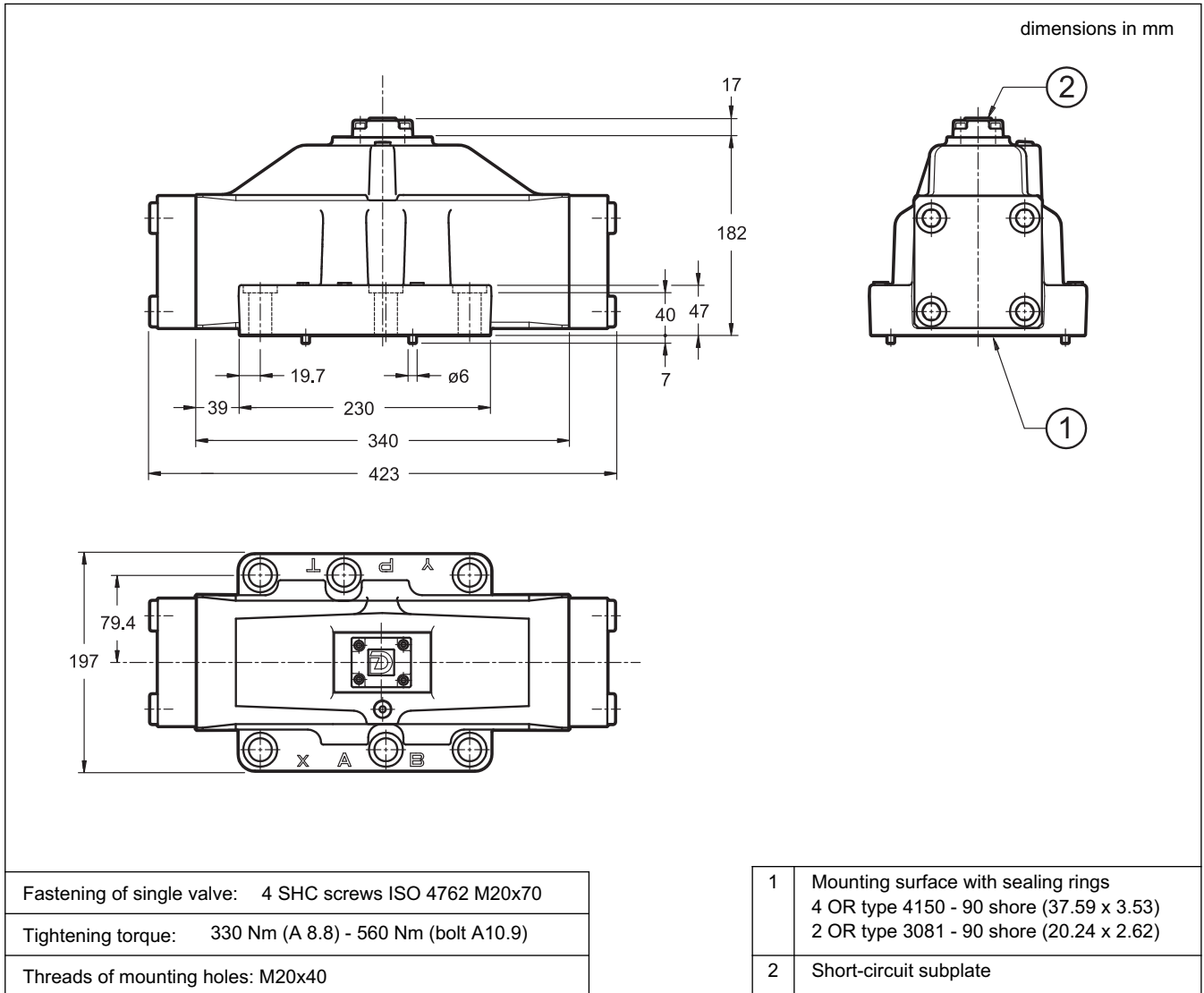
Suffix	Nominal Voltage [V]	Freq. [Hz]	Resistance at 20°C [Ohm]	Current consumption at inrush [A]	Current consumption at holding [A]	Power consumption at inrush [VA]	Power consumption at holding [VA]	Coil Code
<b>A24</b>	24	50	1,46	8	2	192	48	1902830
<b>A48</b>	48		5,84	4,4	1,1	204	51	1902831
<b>A110</b>	110V-50Hz 120V-60Hz	50/60	32	1,84	0,46	192	48	1902832
				1,56	0,39	188	47	
<b>A230</b>	230V-50Hz 240V-60Hz	50/60	140	0,76	0,19	176	44	1902833
				0,6	0,15	144	36	
<b>F110</b>	110	60	26	1,6	0,4	176	44	1902834
<b>F220</b>	220		106	0,8	0,2	180	45	1902835

## 11 - OVERALL AND MOUNTING DIMENSIONS FOR DSP10





## 12 - OVERALL AND MOUNTING DIMENSIONS FOR DSC10



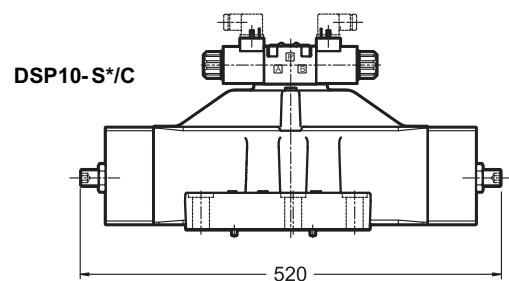
## 13 - OPTIONS

### 13.1 - Control of the main spool stroke: C

With the help of special side plugs, it is possible to introduce stroke controls in the heads of the piloted valve so as to vary the maximum spool clearance opening.

This solution allows control of the flow rate from the pump to the actuator and from the actuator to the outlet, obtaining a double adjustable control on the actuator.

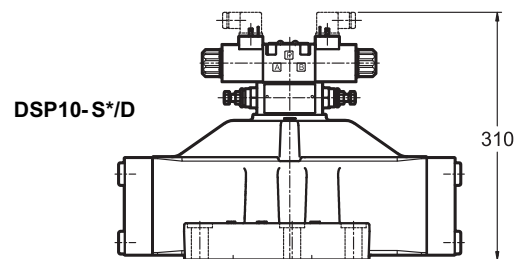
Add the letter **C** to the identification code to request this device (see paragraph 1).



### 13.2 - Control of the main spool shifting speed: D

By placing a MERS type double flow control valve between the pilot solenoid valve and the main distributor, the piloted flow rate can be controlled and therefore the changeover smoothness can be varied.

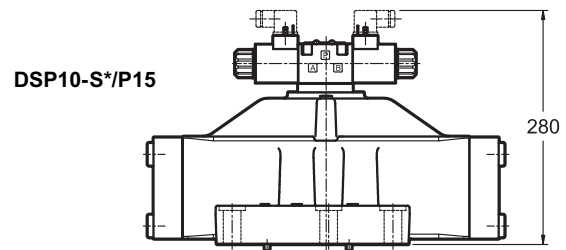
Add the letter **D** to the identification code to request this device (see paragraph 1).



### 13.3 - Subplate with throttle on line P

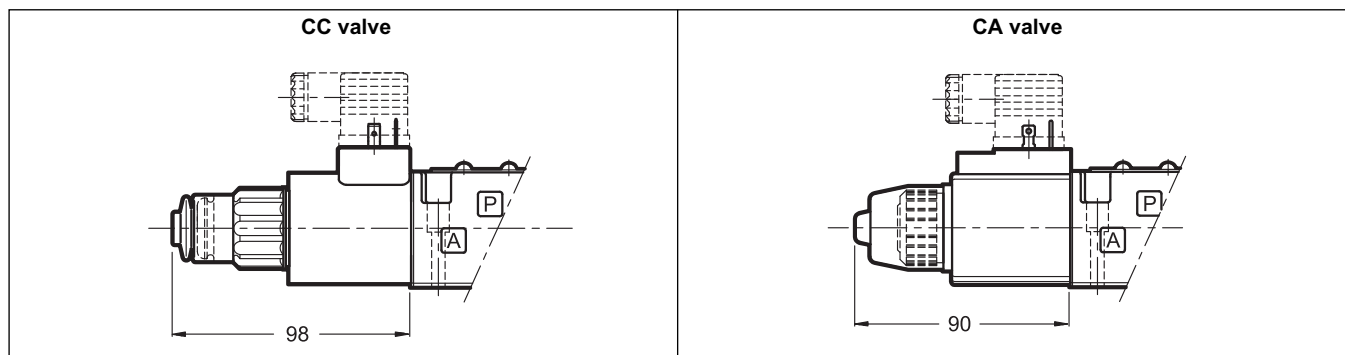
It is possible to introduce a subplate with a restrictor of Ø1,5 on line P between the pilot solenoid valve and the main distributor.

Add **P15** to the identification code to request this option (see paragraph 1).



### 14 - MANUAL OVERRIDE, BOOT PROTECTED: CM

Whenever the solenoid valve installation may involve exposure to atmospheric agents or use in tropical climates, the manual override, boot protection is recommended. Add **/CM** at the end of the identification code to request this device (see paragraph 1).



### 15 - ELECTRIC CONNECTORS

Solenoid valves are delivered without connectors. Connectors can be ordered separately. See catalogue 49 000.

### 16 - INSTALLATION

Configurations with centering and recall springs can be mounted in any position; type RK valves - without springs and with mechanical detent - must be mounted with the longitudinal axis horizontal.

Valve fastening takes place by means of screws or tie rods, laying the valve on a lapped surface, with values of planarity and smoothness that are equal to or better than those indicated in the drawing.

If the minimum values of planarity or smoothness are not met, fluid leakages between valve and mounting surface can easily occur.

